

UNICARRIERS[®]

FORKLIFT



Engine-Powered Forklift

Dual Fuel: Gas/LP and Diesel
3,000 - 7,000 lb Capacity | Pneumatic Tire

PF30N - PF70N / PFD40N - PFD70N

Common Applications

The PF series of IC Pneumatic tire forklifts were engineered with reliability and durability in mind. Powered by our proven GK21 and GK25 dual fuel (gasoline/LP) engines or our work-horse 4EG diesel engine, our forklifts provide unparalleled reliability in various applications.

- Building and Hardware Materials
- Chemicals and Allied Products
- Trucking and Warehousing
- Wholesale Trade



Look for these symbols for features available only on UniCarriers forklifts or that provide a proven performance advantage as compared to competitive trucks.



NEVER QUIT.

It defines our forklifts and the company that builds them.

Over the course of a century, the company known as UniCarriers took shape. As we grew and evolved into a US manufacturer with a global reach in nearly 100 countries worldwide, much has changed, but one thing hasn't: our mission. UniCarriers is committed to providing you with the ultimate in reliability, performance, and value.

That commitment was the driving factor for the design of the PF30N - PF70N / PFD40N- PFD70N truck series. When you have a difficult application, and you need a tough, reliable, and durable truck, our new PF/PFD truck series can handle the job. Our legendary GK21/GK25 gasoline/LP and our 4EG diesel engines provide our forklifts with the torque and horsepower you need to keep the job moving. We are so confident of our truck's durability that we provide the best-in-class 2-year standard warranty.



Up Your Uptime

Discover reliability features that cut downtime and keep your business up and running.



Power & Performance

Built with proven components to ensure the productivity you need.



Play It Safe

Safety is everyone's business and UniCarriers is all about business when it comes to safety.



First-Class Comfort

Your entire operation will benefit from the features designed with operator comfort in mind.



Exceptional Control

Placing control completely within the hands of the operator for confident efficiency



To learn more, and to find a dealer near you, visit LogisnextAmericas.com/UniCarriers



Power & Performance

Power at Your Hands

Our GK21 and GK25 dual gasoline/LP engines are engineered for industrial applications while providing power and greater torque at lower RPMs. This truck series also offers our 4EG diesel engine, which provides additional power while exceeding the EPA's tier 4 emission requirements..



Built for Durability

This PF truck series is built with a durable steel frame which allows for maximum rigidity and durability while maintaining a lower center of gravity. We also integrated our rugged powershift transmission, which has a track record for its quality and reliability. Additionally, our drive axle, which has a full-floating layout that can carry more weight than a semi-floating or non-floating axle assembly, adds additional durability.





Up Your Uptime



Get Access

Service access to this truck is easily accessible without tools. This includes a rear hinged engine cover, removable floor plate, radiator cover, and steel side covers.

Max your uptime with the LPMax System

The LPMax system provides a low LP fuel level warning to operator an average of 8 mins before the LP tank is empty.

Protect your Truck and your Time

The Engine Protection System (EPS) immediately notifies the operator of any issues or failures in the engine. This early alert and notification system can help avoid expensive and lengthy repairs resulting in less downtime and reduced cost of ownership.

Longer Preventative Maintenance Intervals

Improved 800-hour engine oil maintenance intervals means less money spent on maintenance and less downtime for the truck.



Play It Safe



One-Piece Overhead Guard

The overhead guard is constructed using a welded one-piece design, which is engineered to provide excellent rigidity and durability.

Look at the View (Optional)

OptiView® Mast is a triplex mast without a central free lift cylinder. The cylinders are located inside the inner mast rails, which provides excellent visibility. This visibility provides a wide viewing area for load handling efficiency.

Operator Presence System (OPS)

The OPS reacts to whether the operator is in the proper operating position. When the operator is not in the seated position, the system automatically stops powered travel movement and hydraulic functions of the truck.



First-Class Comfort



Take a Seat

Standard premium full suspension Grammer seat is ergonomically designed to provide first class comfort with several adjustments for long comfortable hours of operations. Seat also comes with standard orange belt.



Premium Display Panel

Premium Display Panel provides the operator with crucial information about the truck through 10 different highly visible LCD notifications.



Swing-Out LP Bracket

This series comes with standard Swing-Out bracket to allow easy removal of the LP tank. There is also an optional Swing-Down bracket which allows you to change the LP tank with even more ease. *This option is available for use with both 33.5 lb and 43.5 lb. LP tanks.

Exceptional Control



Single Handle Control Lever

This UniCarriers exclusive feature allows for simultaneous lift and tilt functions for increased productivity and operator efficiency.



Control at your Fingertips

The optional ergonomic fingertip control armrest enables precise load control via an adjustable ultra-comfortable support with easy movement and ergonomic hand positioning.



Take Control

Ground speed control, a standard feature for gas/LP models of this series, limits the max travel speed of the truck without limiting lift performance. The PF Series also offers an optional Fuel Saver Mode, this feature slightly reduces the fuel flow through the injectors when accelerating without affecting overall truck performance.

Specifications

Characteristics			PF30N		PF35N		PF40SN		
1	Capacity at rated load center	lb	kg	3,000	1,500	3,500	1,750	4,000	2,000
2	Capacity at load center – distance	in	mm	24	500	24	500	24	500
3	Power – electric, diesel, gasoline or LP gas			gasoline/LPG		gasoline/LPG		gasoline/LPG	
4	Tire type – cushion or pneumatic			pneumatic		pneumatic		pneumatic	
5	Wheels (x=driven) – number front / rear			2x / 2		2x / 2		2x / 2	
Dimensions			PF30N		PF35N		PF40SN		
6	Maximum fork height (top of fork) ¹⁾	in	mm	131	3,325	131	3,325	131	3,325
7	Free fork height ¹⁾	in	mm	4.5	115	4.5	115	4.7	120
8	Forks – thickness x length x width ¹⁾	in	mm	1.4x42.0x3.9	35x 1,070x 100	1.4x42.0x3.9	35x 1,070x 100	1.6x42.0x3.9	40x 1,070x 100
9	Fork spacing – out-to-out minimum / maximum	in	mm	7.9 / 36.2	200 / 920	7.9 / 36.2	200 / 920	7.9 / 36.2	200 / 920
10	Tilt – forward / backward	deg		6° / 10°		6° / 10°		6° / 10°	
11	Length to fork face	in	mm	89.0	2,260	90.4	2,295	92.5	2,350
12	Width – with single drive tires	in	mm	41.9	1,065	41.9	1,065	41.9	1,065
13	Width – with dual drive tires			-	-	-	-	-	-
14	Height – with lowered mast ¹⁾	in	mm	84.5	2,140	84.5	2,140	84.5	2,140
15	Seat height to SIP	in	mm	44.4	1,127	44.4	1,127	44.4	1,127
16	Height – to top of overhead guard	in	mm	82.7	2,100	82.7	2,100	82.7	2,100
17	Height – with extended mast ¹⁾	in	mm	179	4,549	179	4,549	179	4,549
18	Minimum outside turning radius	in	mm	76.8	1,950	78.0	1,980	79.5	2,020
19	Load moment constant	in	mm	15.7	400	15.7	400	16.3	415
20	Minimum aisle – 90° stack – zero clearance without a load	in	mm	92.5	2,350	93.7	2,380	95.9	2,435
Performance			PF30N		PF35N		PF40SN		
21	Travel speed – loaded / empty	mph	km/h	10.9 / 11.8	17.5 / 19.0	10.9 / 11.8	17.5 / 19.0	11.2 / 11.5	18.0 / 18.5
22	Lift speed – loaded / empty	fpm	m/s	122 / 124	0.62 / 0.63	122 / 124	0.62 / 0.63	122 / 124	0.62 / 0.63
23	Lowering speed – loaded / empty	fpm	m/s	98.4 / 98.4	0.50 / 0.50	98.4 / 98.4	0.50 / 0.50	98.4 / 98.4	0.50 / 0.50
24	Drawbar pull – loaded at 1 mph (1.6 km)	lb	N	3,910	17,400	3,910	17,400	3,870	17,200
25	Drawbar pull – loaded maximum	lb	N	4,560	20,300	4,560	20,300	4,500	20,000
26	Gradeability – loaded at 1 mph (1.6 km)	%		39.0		39.0		38.0	
27	Gradeability – maximum loaded	%		63.0		55.0		46.0	
Weight			PF30N		PF35N		PF40SN		
28	Empty	lb	kg	5,650	2,560	6,070	2,750	6,750	3,040
29	Axle load – with rated load front / rear	lb	kg	7,710 / 940	3,620 / 440	8,460 / 1,110	3,980 / 520	9,370 / 1,380	4,390 / 650
30	Axle load – without load front / rear	lb	kg	2,490 / 3,160	1,130 / 1,430	2,370 / 3,700	1,080 / 1,670	2,390 / 4,360	1,080 / 1,960
Chassis			PF30N		PF35N		PF40SN		
31	Tire size – front, standard	in		6.5 x 10 - 10PR		6.5 x 10 - 10PR		6.5 x 10 / 5.0 Solid	
32	Tire size – optional duals	in		-		-		-	
33	Tire size – rear tires	in		5.0 x 8 - 10PR		5.0 x 8 - 10PR		5.0 x 8 / 3.0 Solid	
34	Wheelbase	in	mm	55.1	1,400	55.1	1,400	55.1	1,400
35	Tread width – front (standard / optional duals)	in	mm	35.0 / -	890 / -	35.0 / -	890 / -	35.0 / -	890 / -
36	Tread width – rear tires	in	mm	35.4	900	35.4	900	35.4	900
37	Ground clearance – at lowest point at mast	in	mm	4.3	110	4.3	110	4.3	110
38	Ground clearance – at center of wheelbase	in	mm	6.0	152	6.0	152	6.0	152
39	Service brake			foot-operated, hydraulic		foot-operated, hydraulic		foot-operated, hydraulic	
40	Parking brake			hand, mechanical		hand, mechanical		hand, mechanical	
Powertrain			PF30N		PF35N		PF40SN		
41	Engine model			GK21E		GK21E		GK21E	
42	Engine – continuous output S.A.E. gross	HP	kW	53.0	40	53.0	40	53.0	40
43		at rpm		2,700		2,700		2,700	
44	Engine – maximum torque S.A.E. gross	lb-ft	N-m	110	153	110	153	110	153
45		at rpm		1,800		1,800		1,800	
46	Cylinder / displacement	cu in	L	4 / 126	4 / 2.1	4 / 126	4 / 2.1	4 / 126	4 / 2.1
47	Transmission – type			powershift		powershift		powershift	
48	Transmission – number of speeds forward / reverse			1 / 1		1 / 1		1 / 1	
49	Battery	volts		12		12		12	
50	Relief pressure for attachments	psi	bar	2,610	180	2,610	180	2,610	180
51	Noise level – mean value at operator's ear Leq	dB(A)		73.5		73.5		73.5	

1) Heights with listed forks on standard two-stage mast. Optional forks will change dimensions slightly.

PF40N		PF50N		PF55N		PF60N		PF65N		PF70N		
1	4,000	2,000	5,000	2,500	5,500	2,800	6,000	3,000	6,500	3,300	7,000	3,500
2	24	500	24	500	24	500	24	500	24	500	24	500
3	gasoline/LPG		gasoline/LPG		gasoline/LPG		gasoline/LPG		gasoline/LPG		gasoline/LPG	
4	pneumatic		pneumatic		pneumatic		pneumatic		pneumatic		pneumatic	
5	2x / 2		2x / 2		2x / 2		2x / 2		2x / 2		2x / 2	
PF40N		PF50N		PF55N		PF60N		PF65N		PF70N		
6	131.5	3,340	131.5	3,340	130.5	3,315	130.5	3,315	131.5	3,350	131.5	3,350
7	5.5	140	5.5	140	5.7	145	5.7	145	5.9	150	5.9	150
8	1.6x42.0x3.9	40x 1,070x 100	1.6x42.0x3.9	40x 1,070x 100	1.8x42.0x4.9	45x 1,070x 125	1.8x42.0x4.9	45x 1,070x 125	2.0x42.0x4.9	50x 1,070x 125	2.0x42.0x4.9	50x 1,070x 125
9	8.7 / 39.4	220 / 1,000	8.7 / 39.4	220 / 1,000	9.8 / 39.4	250 / 1,000	9.8 / 39.4	250 / 1,000	9.8 / 39.4	250 / 1,000	9.8 / 39.4	250 / 1,000
10	6° / 10°		6° / 10°		6° / 10°		6° / 10°		6° / 10°		6° / 10°	
11	98.0	2,490	100	2,550	104	2,645	107	2,720	108	2,750	110	2,790
12	45.3	1,150	45.3	1,150	50.2	1,275	50.2	1,275	50.2	1,275	50.8	1,290
13	64.6	1,640	64.6	1,640	67.5	1,715	67.5	1,715	67.5	1,715	67.5	1,715
14	84.5	2,145	84.5	2,145	85.5	2,165	85.5	2,165	90.5	2,299	90.5	2,299
15	44.8	1,137	44.8	1,137	46.7	1,187	46.7	1,187	46.7	1,187	46.7	1,187
16	82.9	2,105	82.9	2,105	83.7	2,125	83.7	2,125	83.7	2,125	84.3	2,140
17	180	4,564	180	4,564	178.5	4,536	178.5	4,536	180	4,566	180	4,566
18	86.6	2,200	87.8	2,230	91.1	2,315	93.7	2,380	95.7	2,430	96.1	2,440
19	17.9	455	17.9	455	19.3	490	19.3	490	19.3	490	19.5	495
20	105	2,655	106	2,685	110	2,805	113	2,870	115	2,920	116	2,935
PF40N		PF50N		PF55N		PF60N		PF65N		PF70N		
21	10.6 / 11.5	17.0 / 18.5	10.6 / 11.5	17.0 / 18.5	10.6 / 11.2	17.0 / 18.0	10.6 / 11.2	17.0 / 18.0	10.9 / 11.5	17.5 / 18.5	10.9 / 11.5	17.5 / 18.5
22	124 / 128	0.63 / 0.65	124 / 128	0.63 / 0.65	98.4 / 102	0.50 / 0.52	98.4 / 102	0.50 / 0.52	98.4 / 102	0.50 / 0.52	82.7 / 86.6	0.42 / 0.44
23	98.4 / 98.4	0.50 / 0.50	98.4 / 98.4	0.50 / 0.50	98.4 / 98.4	0.50 / 0.50	98.4 / 98.4	0.50 / 0.50	98.4 / 98.4	0.50 / 0.50	98.4 / 98.4	0.50 / 0.50
24	4,920	21,900	4,900	21,800	4,990	22,200	4,990	22,200	4,610	20,500	4,610	20,500
25	5,640	25,100	5,670	25,200	5,800	25,800	5,800	25,800	5,310	23,600	5,310	23,600
26	39.0		40.0		36.0		34.0		29.0		27.0	
27	57.0		49.0		43.0		41.0		33.0		32.0	
PF40N		PF50N		PF55N		PF60N		PF65N		PF70N		
28	7,370	3,340	7,990	3,620	9,090	4,120	9,400	4,260	10,150	4,600	10,340	4,690
29	9,950 / 1,420	4,660 / 685	11,570 / 1,420	5,450 / 670	12,950 / 1,640	6,100 / 70	13,790 / 1,610	6,390 / 870	14,590 / 2,060	6,880 / 970	15,400 / 1,990	7,250 / 940
30	3,240 / 4,130	1,470 / 1,870	3,190 / 4,800	1,440 / 2,180	3,670 / 5,420	1,660 / 2,460	3,860 / 5,540	1,700 / 2,560	3,790 / 6,360	1,710 / 2,890	3,700 / 6,640	1,680 / 3,010
PF40N		PF50N		PF55N		PF60N		PF65N		PF70N		
31	7.0 x 12 - 12PR		7.0 x 12 - 12PR		28 x 9 x 15 - 12PR		28 x 9 x 15 - 12PR		250 x 15 - 16PR		250 x 15 - 16PR	
32	7.0 x 12 - 12PR		7.0 x 12 - 12PR		28 x 9 x 15 - 12PR		28 x 9 x 15 - 12PR		28 x 9 x 15 - 12PR		28 x 9 x 15 - 12PR	
33	6.0 x 9 - 10PR		6.0 x 9 - 10PR		6.5 x 10 - 10PR		6.5 x 10 - 10PR		6.5 x 10 - 12PR		6.5 x 10 - 12PR	
34	63.0	1,600	63.0	1,600	63.8	1,620	66.9	1,700	66.9	1,700	66.9	1,700
35	37.8 / 47.4	960 / 1,205	37.8 / 47.4	960 / 1,205	41.7 / 47.2	1,060 / 1,200	41.7 / 47.2	1,060 / 1,200	41.7 / 47.2	1,060 / 1,200	41.7 / 47.2	1,060 / 1,200
36	38.6	980	38.6	980	38.6	980	38.6	980	38.6	980	38.6	980
37	4.6	117	4.6	117	5.4	136	5.4	136	5.4	136	5.7	146
38	6.6	167	6.6	167	7.4	189	7.4	189	7.4	189	8.0	202
39	foot-operated, hydraulic		foot-operated, hydraulic		foot-operated, hydraulic		foot-operated, hydraulic		foot-operated, hydraulic		foot-operated, hydraulic	
40	hand, mechanical		hand, mechanical		hand, mechanical		hand, mechanical		hand, mechanical		hand, mechanical	
PF40N		PF50N		PF55N		PF60N		PF65N		PF70N		
41	GK25E		GK25E		GK25E		GK25E		GK25E		GK25E	
42	61.0	44	61.0	44	61.0	44	61.0	44	61.0	44	61.0	44
43	2,700		2,700		2,700		2,700		2,700		2,700	
44	129	168	129	168	129	168	129	168	129	168	129	168
45	1,600		1,600		1,600		1,600		1,600		1,600	
46	4 / 152	4 / 2.5	4 / 152	4 / 2.5	4 / 152	4 / 2.5	4 / 152	4 / 2.5	4 / 152	4 / 2.5	4 / 152	4 / 2.5
47	powershift		powershift		powershift		powershift		powershift		powershift	
48	1 / 1		1 / 1		1 / 1		1 / 1		1 / 1		1 / 1	
49	12		12		12		12		12		12	
50	2,610	180	2,610	180	2,610	180	2,610	180	2,610	180	2,610	180
51	76.5		76.5		76.5		76.5		76.5		76.5	

Specifications

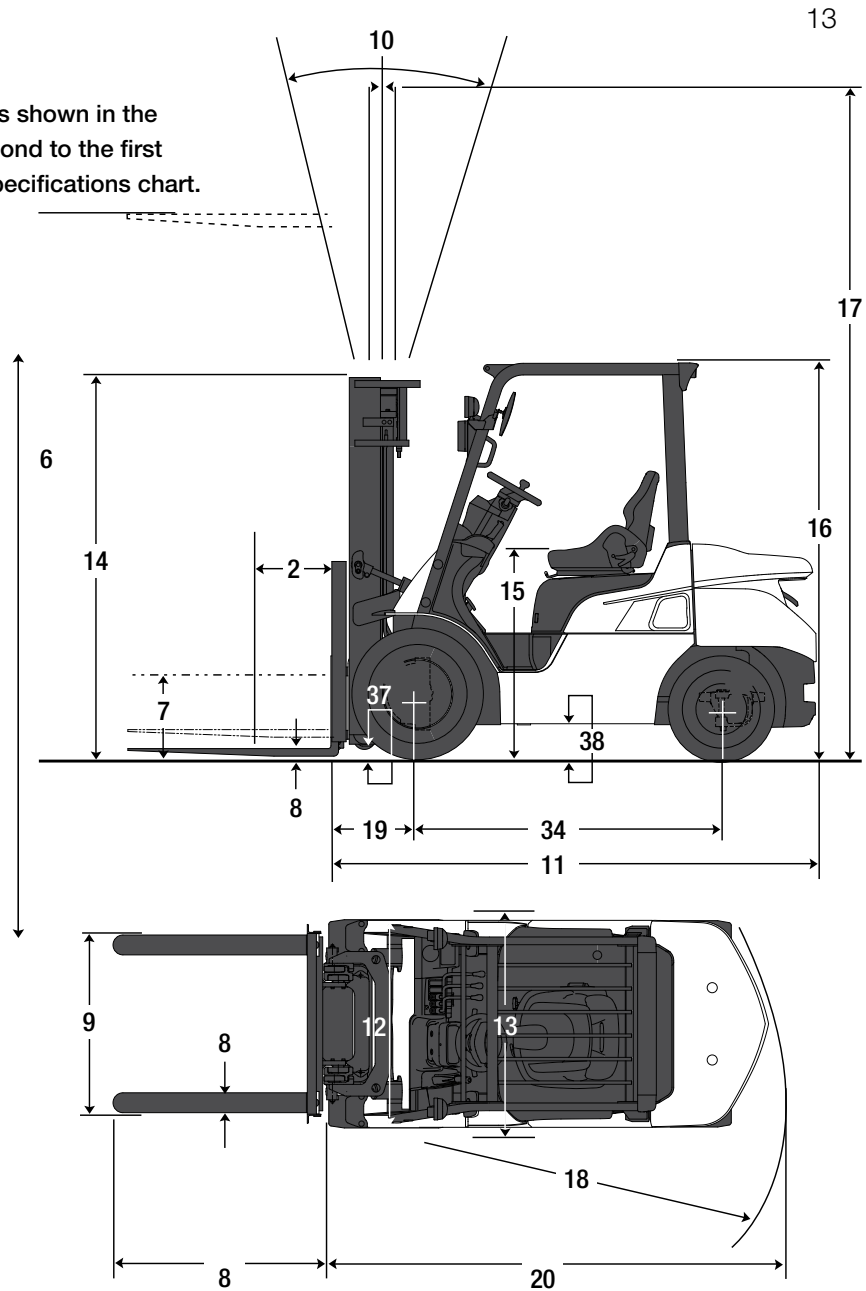
Characteristics			PFD40N		PFD50N		PFD60N		
1	Capacity at rated load center	lb	kg	4,000	2,000	5,000	2,500	6,000	3,000
2	Capacity at load center – distance	in	mm	24	500	24	500	24	500
3	Power – electric, diesel, gasoline or LP gas			diesel		diesel		diesel	
4	Tire type – cushion or pneumatic			pneumatic		pneumatic		pneumatic	
5	Wheels (x=driven) – number front / rear			2x / 2		2x / 2		2x / 2	
Dimensions			PFD40N		PFD50N		PFD60N		
6	Maximum fork height (top of fork) ¹⁾	in	mm	131.5	3,340	131.5	3,340	130.5	3,315
7	Free fork height ¹⁾	in	mm	5.5	140	5.5	140	5.7	145
8	Forks – thickness x length x width ¹⁾	in	mm	1.6x42.0x3.9	40x 1,070x 100	1.6x42.0x3.9	40x 1,070x 100	1.8x42.0x4.9	45x 1,070x 125
9	Fork spacing – out-to-out minimum / maximum	in	mm	8.7 / 39.4	2220 / 1,000	8.7 / 39.4	220 / 1,000	9.8 / 39.4	250 / 1,000
10	Tilt – forward / backward		deg	6° / 10°		6° / 10°		6° / 10°	
11	Length to fork face	in	mm	98.0	2,490	100	2,550	107	2,720
12	Width – with single drive tires	in	mm	45.3	1,150	45.3	1,150	50.2	1,275
13	Width – with dual drive tires			64.6	1,640	64.6	1,640	67.5	1,715
14	Height – with lowered mast ¹⁾	in	mm	84.5	2,145	84.5	2,145	85.5	2,165
15	Seat height to SIP	in	mm	44.8	1,137	44.8	1,137	46.7	1,187
16	Height – to top of overhead guard	in	mm	82.9	2,105	82.9	2,105	83.7	2,125
17	Height – with extended mast ¹⁾	in	mm	180	4,564	180	4,564	178.5	4,536
18	Minimum outside turning radius	in	mm	86.6	2,200	87.8	2,230	93.7	2,380
19	Load moment constant	in	mm	17.9	455	17.9	455	19.3	490
20	Minimum aisle – 90° stack – zero clearance without a load	in	mm	105	2,655	106	2,685	113	2,870
Performance			PFD40N		PFD50N		PFD60N		
21	Travel speed – loaded / empty	mph	km/h	10.3 / 11.2	16.5 / 18.0	10.3 / 10.9	16.5 / 17.5	9.9 / 10.9	16.0 / 17.5
22	Lift speed – loaded / empty	fpm	m/s	120 / 126	0.61 / 0.64	120 / 126	0.61 / 0.64	96.5 / 100	0.49 / 0.51
23	Lowering speed – loaded / empty	fpm	m/s	98.4 / 98.4	0.50 / 0.50	98.4 / 98.4	0.50 / 0.50	98.4 / 98.4	0.50 / 0.50
24	Drawbar pull – loaded at 1 mph (1.6 km)	lb	N	3,960	17,600	3,960	17,600	3,960	17,600
25	Drawbar pull – loaded maximum	lb	N	4,520	20,100	4,520	20,100	4,540	20,200
26	Gradeability – loaded at 1 mph (1.6 km)		%	36.0		31.0		26.0	
27	Gradeability – maximum loaded		%	42.0		37.0		30.0	
Weight			PFD40N		PFD50N		PFD60N		
28	Empty	lb	kg	7,540	3,420	8,210	3,720	9,640	4,370
29	Axle load – with rated load front / rear	lb	kg	10,340 / 1,610	4,690 / 730	11,650 / 1,560	5,490 / 730	13,890 / 1,750	6,550 / 820
30	Axle load – without load front / rear	lb	kg	3,310 / 4,230	1,500 / 1,920	3,260 / 4,950	1,480 / 2,240	3,920 / 5,720	1,770 / 2,600
Chassis			PFD40N		PFD50N		PFD60N		
31	Tire size – front, standard		in	7.0 x 12 - 12PR		7.0 x 12 - 12PR		28 x 9 x 15 - 12PR	
32	Tire size – optional duals		in	7.0 x 12 - 12PR		7.0 x 12 - 12PR		28 x 9 x 15 - 12PR	
33	Tire size – rear tires		in	6.0 x 9 - 10PR		6.0 x 9 - 10PR		6.5 x 10 - 10PR	
34	Wheelbase	in	mm	63.0	1,600	63.0	1,600	66.9	1,700
35	Tread width – front (standard / optional duals)	in	mm	37.8 / 47.4	960 / 1,205	37.8 / 47.4	960 / 1,205	41.7 / 47.2	1,060 / 1,200
36	Tread width – rear tires	in	mm	38.6	980	38.6	980	38.6	980
37	Ground clearance – at lowest point at mast	in	mm	4.6	117	4.6	117	5.4	136
38	Ground clearance – at center of wheelbase	in	mm	6.6	167	6.6	167	7.4	189
39	Service brake			foot-operated, hydraulic		foot-operated, hydraulic		foot-operated, hydraulic	
40	Parking brake			hand, mechanical		hand, mechanical		hand, mechanical	
Powertrain			PFD40N		PFD50N		PFD60N		
41	Engine model			4EG		4EG		4EG	
42	Engine – continuous output S.A.E. gross	HP	kW	48.0	36.0	48.0	36.0	48.0	36.0
43		at rpm		2,250		2,250		2,250	
44	Engine – maximum torque S.A.E. gross	lb-ft	N-m	131	177	131	177	131	177
45		at rpm		1,800		1,800		1,800	
46	Cylinder / displacement	cu in	L	4 / 203	4 / 3.3	4 / 203	4 / 3.3	4 / 203	4 / 3.3
47	Transmission – type			powershift		powershift		powershift	
48	Transmission – number of speeds forward / reverse			1 / 1		1 / 1		1 / 1	
49	Battery		volts	12		12		12	
50	Relief pressure for attachments	psi	bar	2,610	180	2,610	180	2,610	180
51	Noise level – mean value at operator's ear Leq		dB(A)	75.5		75.5		75.5	

1) Heights with listed forks on standard two-stage mast. Optional forks will change dimensions slightly.

NOTE: These specifications assume the use of drive axles, tires and tilt angles specified. Any modification to specifications, or any other combination of specifications made after the shipment of the truck, requires prior written approval from Mitsubishi Logisnext Americas Inc. (See ANSI/ITSDF B56.1.) Also be advised that overall operating visibility may be affected by the mast configuration and mast options of your truck. Therefore, you may need to add ancillary [auxiliary] devices or modify your operating practices. Consult your dealer for further information.

PFD70N		
1	7,000	3,500
2	24	500
3	diesel	
4	pneumatic	
5	2x / 2	
PFD70N		
6	131.5	3,350
7	5.9	150
8	2.0x42.0x4.9	50x 1,070x 125
9	9.8 / 39.4	250 / 1,000
10	6° / 10°	
11	110	2,790
12	50.8	1,290
13	67.5	1,715
14	90.5	2,299
15	46.7	1,187
16	84.3	2,140
17	180	4,566
18	96.1	2,440
19	19.5	495
20	116	2,935
PFD70N		
21	10.3 / 11.2	16.5 / 18.0
22	80.7 / 84.6	0.41 / 0.43
23	98.4 / 98.4	0.50 / 0.50
24	3,620	16,100
25	4,140	18,400
26	21.0	
27	24.0	
PFD70N		
28	10,590	4,800
29	15,500 / 2,130	7,300 / 1,000
30	3,820 / 6,770	1,730 / 3,070
PFD70N		
31	250 x 15 - 16PR	
32	28 x 9 x 15 - 12PR	
33	6.5 x 10 - 12PR	
34	66.9	1,700
35	41.7 / 47.2	1,060 / 1,200
36	38.6	980
37	5.7	146
38	8.0	202
39	foot-operated, hydraulic	
40	hand, mechanical	
PFD70N		
41	4EG	
42	48.0	36.0
43	2,250	
44	131	177
45	1,800	
46	4 / 203	4 / 3.3
47	powershift	
48	1 / 1	
49	12	
50	2,610	180
51	75.5	

Call-out numbers shown in the diagram correspond to the first column of the specifications chart.



Safety Standards

These trucks meet American National Standards Institute/Industrial Truck Standards Development Foundation, ANSI/ITSDF B56.1.

UL-Classified by Underwriters Laboratories, Inc., as to fire and electric shock hazard only. Availability: Types G/LP and D standard. Types GS/LPS and DS optional. Users should be aware of, and adhere to, applicable codes and regulations regarding operator training, use, operation, and maintenance of powered industrial trucks, including:

- ANSI/ITSDF B56.1.
- NFPA 505, fire safety standard for powered industrial trucks — type designations, areas of use, maintenance and operation.
- Occupational Safety and Health Administration (OSHA) regulations that may apply.

Contact your Unicarriers lift truck dealer for further information, including operator training programs and auxiliary visual and audible warning systems, fire extinguishers, etc., as available for specific user applications and requirements. Specifications, equipment, technical data, photos and illustrations based on information at time of printing and subject to change without notice. Some products may be shown with optional equipment.

*Lift with standard two-stage mast

**This varies depending upon the model selection and the tire type.

Reliability.

It's the defining trait of our company and our forklifts.



UniCarriers' roots extend back over 100 years, and over that time, strong, reliable performance has always been the hallmark of our organization, our people and our equipment.

Today, our unrivaled reliability continues to provide UniCarriers' customers with a competitive edge. And together, we move the merchandise that moves world commerce with greater efficiency, economy and reliability.

When it comes to providing forklifts that make a difference for our customers and theirs...



We Never Quit.



LogisnextAmericas.com/UniCarriers

SB-PFPFD 01-2024 Printed in U.S.A.

© 2024 Mitsubishi Logisnext Americas Inc. UniCarriers is a registered trademark of Mitsubishi Logisnext Co., Ltd. Mitsubishi Logisnext Americas, Inc. reserves the right to make product changes relating to colors, equipment, specifications or available options without notice. For more information, contact your UniCarriers Forklift representative.

